

# SW2-IP40 Series Micro Switches (WATERPROOF BUTTON)

# herga

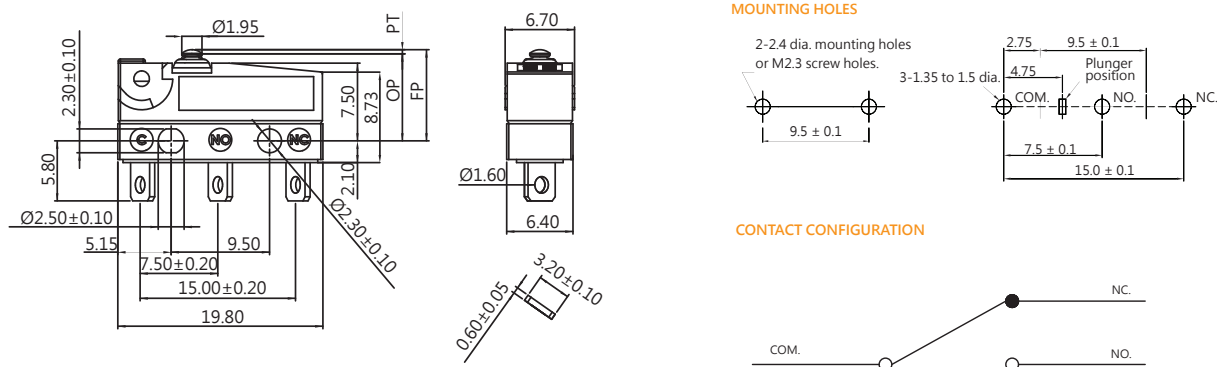
Technology Ltd

- High quality micro switches for a wide range of applications
- Excellent performance, high reliability and long service life
- UL/cUL and ENEC certification
- Applications - mouse, joystick, small home appliance, central heating control
- Telephone, Air conditioner, Computer, Humidifier, Alarm, Time recorder, Mixer & Chopper, Solder gun, Neon phone, Fax machine, Joystick, Water pump, Gas detector, Pencil sharpener, Money sorter, Food processor, Electric knife, Toy car, Juice maker, Electric steak pan.



## Reference dimensions mm

Unless otherwise specified, a tolerance of  $\pm 0.4\text{mm}$  applies to all dimensions.



## General specifications

<b>Contact resistance (initial)</b>	Max. 300m $\Omega$ Measured by ohm meter –Open Voltage<1VDC, Driver current -100mA	<b>Vibration</b>	10~55Hz, displacement 0.75 mm (p-p)
<b>Insulation Resistance (at 500 VDC / minute)</b>	Min. 100 M $\Omega$	<b>Electrical Service Life</b>	Min. 10,000 operations
<b>Dielectric Strength</b>	Min. 500VAC (50-60HZ)/minute between live parts. Min. 1500VAC (50-60HZ)/minute between live parts and dead metal parts	<b>Electrical Operating Frequency</b>	10~30 operations per minute
<b>Operating Temperature Range</b>	-40°C to +125°C ( with no icing )	<b>Mechanical Service Life</b>	Min. 2,000,000 operations
		<b>Mechanical Operating Frequency</b>	120 operations per minute
		<b>Operating application of the switch</b>	Set the switch pushing distance from 60% to 90% of the specified OT value

## Certification information

Model Name	UL - cUL	ENEC
SW2-C1	0.1RA 125/250VAC uT125 1E4	0.1A 125/250VAC uT125 1E4
SW2-C3	3GPA 125/250VAC uT125 1E4	3A 125/250VAC uT125 1E4
SW2-06	5RA 30VDC uT125 1E4 6GPA 125/250VAC uT125 1E4	5A 30VDC uT125 1E4 6A 125/250VAC uT125 1E4
SW2-10	5RA 30VDC uT125 1E4 10RA125/250VAC uT125 1E4 10GPA 125/250VAC uT125 1E4	5A 30VDC uT125 1E4 10(2)A 125/250VAC uT125 1E4
SW2-H10	5RA 30VDC uT125 1E4 10RA125/250VAC uT125 1E4 10GPA 125/250VAC uT125 1E4 1/4HP 125/250VAC uT125 1E4	5A 30VDC uT125 1E4 10(2)A 125/250VAC uT125 1E4

## Selection of rating & force

MODEL	Rating	L	S	H
SW2	0.1A	★	★	★
	3A	★	★	★
	6A	★	★	★
	10A 10(2)A	★	★	★
	1/4 hp 10A 10(2)A		★	★

NOTE: The symbol " ★ " represents the result is accepted



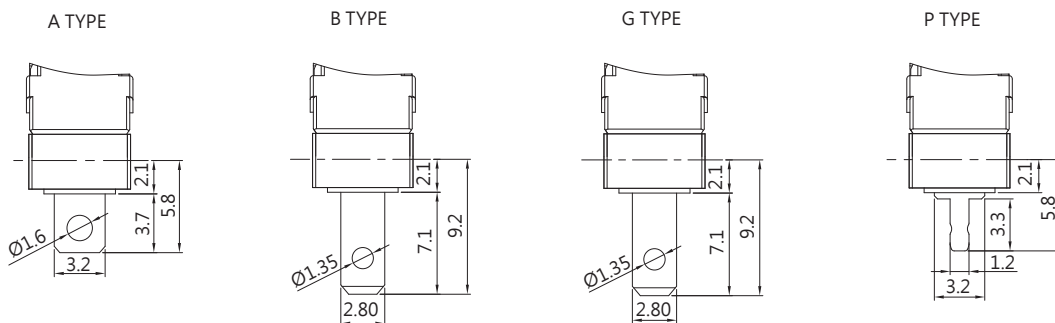
Subject to change without notice

# SW2-IP40 Series Micro Switches (WATERPROOF BUTTON)

# herga

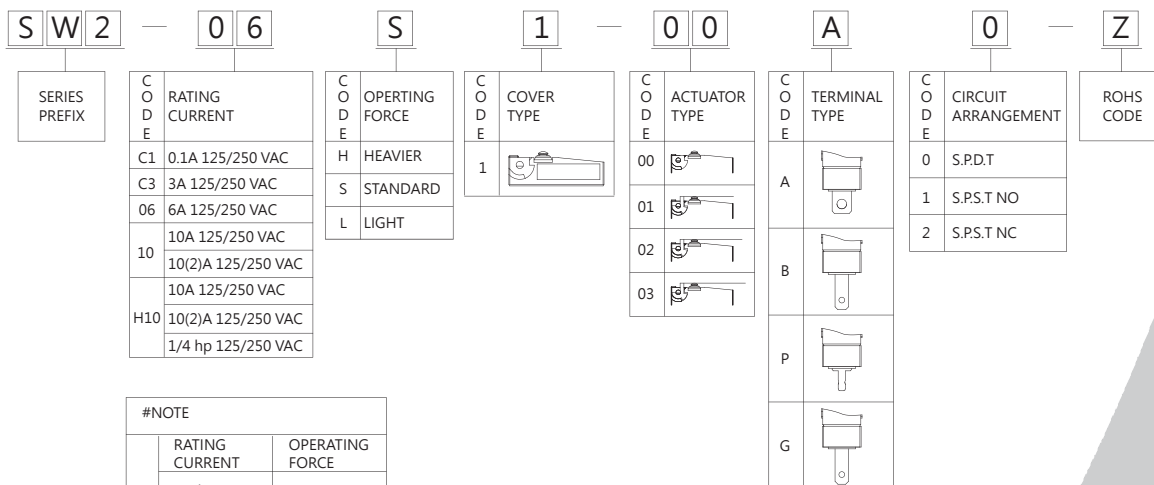
Technology Ltd

Terminal types (the thickness of each terminal is 0.6 mm)



Terminal t=0.5mm

## Ordering information



#NOTE		
	RATING CURRENT	OPERATING FORCE
1	Code:C1	L, S, H
	Code:C3	L, S, H
	Code:06	L, S, H
	Code: 10	S, H
	Code:H10	S, H

# SW2-IP40 Series Micro Switches (WATERPROOF BUTTON)

# herga

Technology Ltd

## Operating characteristics

SWITCH TYPE	PART SUFFIX	OF Max. (gf)	OP (mm)	PT Max. (mm)	OT Min. (mm)	MD Max. (mm)	FP Max. (mm)	RF Min. (gf)		
SW2-□□□□-00□□-Z		H	300	8.4 ± 0.3	1.2	0.4	0.2	9.9	H	70
		S	203						S	50
		L	150						L	30
SW2-□□□□-01□□-Z		H	121	8.8 ± 1.1	4.3	0.6	0.6	1.2	H	17
		S	82						S	16
		L	73						L	14
SW2-□□□□-02□□-Z		H	105	8.8 ± 1.2	4.8	0.67	0.7	12.4	H	14
		S	66						S	13
		L	55						L	11
SW2-□□□□-03□□-Z		H	72	8.8 ± 1.6	6.3	0.89	0.9	13.5	H	12
		S	54						S	11
		L	29						L	6
SW2-□□□□-04□□-Z		H	106	10.7 ± 1.2	4.6	0.64	0.75	14.3	H	15
		S	68						S	14
		L	42						L	7
SW2-□□□□-05□□-Z		H	100	14.5 ± 1.1	4.3	0.6	0.6	17.7	H	16
		S	72						S	15
		L	54						L	4
SW2-□□□□-06□□-Z		H	165	8.8 ± 0.9	3.2	1.0	0.5	11.1	H	23
		S	98						S	21
		L	66						L	10
SW2-□□□□-07□□-Z		H	65	8.8 ± 2.6	10.1	1.5	2.3	16.3	H	8
		S	39						S	8
		L	33						L	1
SW2-□□□□-08□□-Z		H	106	11.3 ± 1.3	4.9	0.6	0.8	14.9	H	14
		S	68						S	13
		L	42						L	6
SW2-□□□□-09□□-Z		H	50	8.8 ± 3.5	13.8	1.0	3.6	19.1	H	7
		S	33						S	7
		L	23						L	1